

Conference Committee

Chief Patron(s)

D. S. Chauhan, Ex-President, AIU, India
Anantula Vinay Kumar Reddy, Chairman, SIET, Hyderabad
Chintala Ravindranath Yadav, Secretary, SIET, Hyderabad
Nirvetla Sarath Reddy, CEO, SIET, Hyderabad
Anantula Hriday Reddy, Vice Chairman, SIET, Hyderabad

Honorary Chair

S Sai Satyanarayana Reddy, Principal, SIET, Hyderabad
Shailendra Mishra, Majmaah University, Majmaah, Kingdom of Saudi Arabia

Executive General Chairs

P. K. Gupta, JUIT, Solan, India
Mayank Singh, UKZN, South Africa
Ashwani Kumar, SIET, Hyderabad

General Chair

Vipin Tyagi, Past President Engg Section Indian Science Congress Association, India

Program Chair

S Sai Satyanarayana Reddy, Principal, SIET, Hyderabad
Shaik Abdul Nabi, SIET, Hyderabad

Convenor

Ashwani Kumar, HoD, CSE (AI&ML) SIET, Hyderabad
M. Jayaram, Professor, SIET, Hyderabad

Advisory Board Chairs

Tuncer Ören, University of Ottawa, Canada
S.Ramachandran, Anurag University

Technical Program Committee Chair

Bala Prakasha Rao Killi, NITW, Warangal
Tapan Jain, IIIT Nagpur
Pooja Jain, IIIT Nagpur
Vijender Solanki, CMR Institute of Technology, Hyderabad

Organizing Committee(s)

Dr. S. Venkata Achuta Rao, Professor,
Dr. N.Swapna Suhasini, SIET, Hyderabad
Dr. Biksham V, SIET, Hyderabad

Publicity Chairs

Akshay Chaudhary, UKZN, South Africa
Asutosh Sharama, Postdoctoral at Southern Federal University, Russia
Mohit Kumar, Cambridge Institute of Technology, Ranchi

Call for Papers

CONFERENCE ON SMART AND INTELLIGENT LEARNING FOR INFORMATION OPTIMIZATION (CONSILIO) ORGANIZED JOINTLY BY CRL AND SIET. ALL SELECTED AND PRESENTED PAPERS WILL BE SUBMITTED FOR PUBLICATION IN SCOPUS INDEXED JOURNAL OF PHYSICS: CONFERENCE SERIES BY IOP PUBLISHING.

About The Organization

Sreyas Institute, located in the heart of the city, is the result of deliberation & planning of every aspect to create a world-class technical education institution. The first impression as you enter the sprawling green and verdant campus of Sreyas leaves a lasting impression of innate calm and energizing growth. The campus is scientifically planned and artistically designed. The students have access to the latest software & computing facilities for learning & research to groom them into future citizens. Our student-centric approach will ensure that Sreyans gain not just depth & breadth in their chosen area of specialization, but a holistic set of skills that will equip them to face the real world. At every stage, there will be opportunities to expand their boundaries, with multiple platforms for collaboration & learning. The infrastructure is absolutely world-class with opportunities to build practical skills in state-of-the-art laboratories & workshops.

Paper Submission

CONFERENCE ON SMART AND INTELLIGENT LEARNING FOR INFORMATION OPTIMIZATION (CONSILIO)-2021 WILL BE ORGANIZED BY CONSILIO RESEARCH LAB, ESTONIA IN COLLABORATION WITH SREYAS INSTITUTE OF ENGINEERING & TECHNOLOGY, HYDERABAD, TELANGANA AND HELD AT VIRTUALLY FROM TALLINN, ESTONIA AND PHYSICALLY AT SIET, HYDERABAD ON JULY 09-10, 2021. CONFERENCE ON SMART AND INTELLIGENT LEARNING FOR INFORMATION OPTIMIZATION (CONSILIO)-2021 WILL BE A MAJOR PEER-REVIEWED CONFERENCE ORGANIZED WITH THE OBJECTIVE OF BRINGING TOGETHER RESEARCHERS, DEVELOPERS AND PRACTITIONERS FROM ACADEMIA AND INDUSTRY WORKING IN THE AREA OF SMART & INTELLIGENT LEARNING AND INFORMATION OPTIMIZATION. ORIGINAL, PREVIOUSLY UNPUBLISHED AND HIGH QUALITY RESEARCH PAPERS ADDRESSING RESEARCH CHALLENGES AND ADVANCES IN SMART AND INTELLIGENT LEARNING WOULD BE APPRECIATED. ALL SELECTED AND PRESENTED PAPERS WILL BE PUBLISHED IN SCOPUS INDEXED JOURNAL OF PHYSICS: CONFERENCE SERIES BY IOP PUBLISHING..

Papers are to be submitted through the EasyChair link:

<https://easychair.org/conferences/?conf=consilio2021>

The topics of the conference include, but are not limited to:

- Smart Computing in New Paradigms of Smart Data
- Visualization in Intelligent Data
- Green cloud computing and big data
- Quality of Service (QoS) improvements techniques
- Case studies for various applications in big data
- Cyber hacking, next generation firewall of smart data
- Social engineering and insider threats
- Security and fault tolerance for embedded system
- Tele-health security
- Sensor network security in big data
- Cloud computing and networking models
- Dynamic resource sharing algorithm
- Heterogeneous architecture for cloud-based intelligent data
- Cloud infrastructures for E-health

IOP
Publishing

CONSILIO-2021

CONFERENCE ON SMART AND INTELLIGENT LEARNING
FOR INFORMATION OPTIMIZATION

July 09-10, 2021

Hyderabad, India



Organized by
Department of Computer Science & Engineering, CSE (AI&ML), CSE(DS)
Sreyas Institute of Engineering and Technology, Hyderabad, India

<https://consiliolab.org/consilio2021/>

Important Dates

Submission of Full Paper:	May 15, 2021
Notification of Acceptance:	June 20, 2021
Camera Ready Paper:	June 30, 2021
Authors' Registration Deadline:	June 30, 2021
Conference Dates:	July 09-10, 2021

Contact Us

Mobile: +91-8475000603 / +91-9634230707

E-mail: consilioconf@gmail.com



IOPscience



CONSILIO -2021

**3rd International Conference on Smart and Intelligent Learning
for Information Optimization**

09-10 July, 2021

Organized by

**Department of Computer Science & Engineering
Sreyas Institute of Engineering and Technology, Hyderabad, India**

Key Note Speakers



Prof Alex



Dr Pareshkumar C Dave



Dr. Paresh Dave



Prof Arun Sharma



Dr. Sarika Sharma



Ms. Rashmi Agrawal



Prof Vibhash Yadav



Mr. Siddharth Arjaria

CONSILIO - 2021

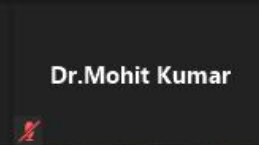
**3rd INTERNATIONAL CONFERENCE ON
SMART AND INTELLIGENT LEARNING
FOR INFORMATION OPTIMIZATION**

09th - 10th July 2021
Timing : 10:00 AM to 4:00 PM

Organized By

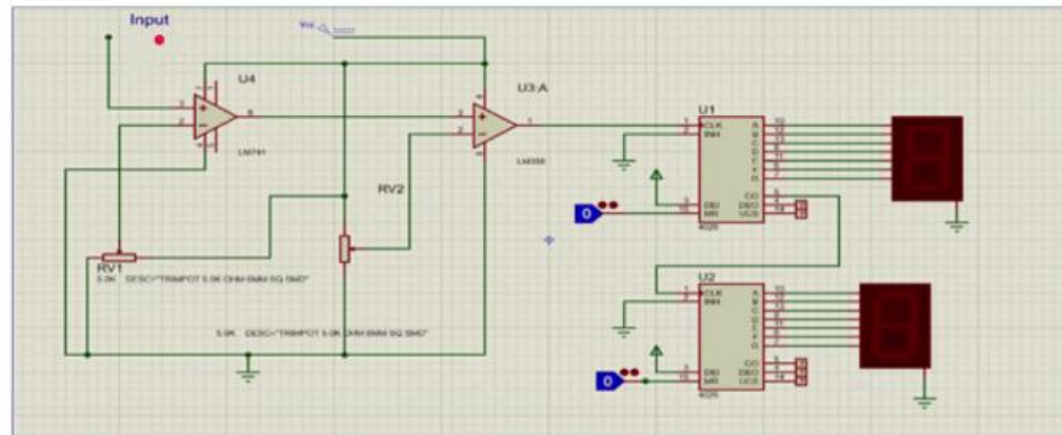
Department of CSE | CSE (AI & ML) | CSE (DS)
Sreyas Institute of Engineering and Technology,
Hyderabad





Electronic Details

- When a person walks, every time he stamps his foot on the ground a voltage is generated between the plates of the piezoelectric sensor..
- Input voltage needed for CD 4026 is 5-9 volts, but piezoelectric sensor output is 0.4-0.5 volts. Hence voltage amplification was required.
- Two op-amps LM741 (U4) and LM358(U3: A) have been used to realize the amplification part of the circuit.
- The potentiometers (RV1 AND RV2) are used to provide a reference voltage to the op-amps.
- CD4026 counter ICs (U1 and U2) for the counting part of the circuit.
- A 7-Segment common cathode display is used for the purpose of displaying the counts.



Organized by



CONSILIO

Aryan Delhi



Mute



Stop Video

25

Participants



Share Screen



Raise Hand



Record

Leave



Type here to search



26°C

13:29
09-07-2021



Ashwani



Dr. Md. Amir Kh...



Nishant Gupta

Shobhit-pc

Hussain

Tanu Rajput



Recording

Pre-processing phase

- Generate shared secret key $[[\alpha]]$
- His secret data $[[x_j]]$ is defined as
 - $\langle x_j \rangle = (x_j^1, x_j^2, \dots, x_j^n)$,
 - $MAC_j = \langle x_j \cdot \alpha_j \rangle = (m_j^1, m_j^2, \dots, m_j^n)$,
 - $\langle \alpha_j \rangle = (\alpha_j^1, \alpha_j^2, \dots, \alpha_j^n)$, where n = number of participating organizations. Mac and secret share keys are randomly generated.
- Each party commit additive sharing triplet $(Enc_{pk_j}(x_j^i), Enc_{pk_j}(m_j^i), Enc_{pk_j}(\alpha_j^i))$ to the ledger

**CONSILIO**
2021Shobhit Garg,
Software Engineer, DLT Labs